

Exceptional ergonomic mobile computing.

Equipped with a large LCD touch-screen display, the HI-Med cart allows nurses to perform duties without worrying about security. This cart offers a variety of security features including a drawer catcher, automatic locking, and a NarcLocker option to protect controlled substances and other high-security supplies. These features together with the ample storage space it provides, makes the HI-Med a cart of choice.



Experience the Howard advantage.



The LCD display provides at-a-glance information such as which bins and drawers are currently open while providing the latest touch-screen technology.



The sturdy, aluminum frame is surrounded with bumpers and offers a 5" caster set including brake and directional lock.



Controlled substances and supplies can be stored in an optional storage drawer, and for added security a NarcLocker can be added allowing authorized personnel only.

HI-Med

System Highlights

- Supports up to 200 access codes
- LCD display provides at-a-glance information
- Programmable to re-lock within 6 seconds or up to 1 hour after opening
- Provides largest patient bins available (5.5" to 8.25" wide)
- SilentPartner tracking system available
- Available in 3 sizes

FAQs

Q: How much does the HI-Med weigh?

A: Depending on size and components, the cart weights between ____ and ____ pounds.

Q: What cart manufacturers does Howard Medical partner with?

A: Howard Medical has partnered with the two largest cart manufacturers in the world, Lionville Systems and S & S Medcarts, both of which are US-based entities.

Q: How much does the HI-Med cost?

A: The HI-Med's price range is between ____ and ____ depending on configurations and upgrade options.

Q: Is the HI-Med hard to clean?

A: No. The HI-Med is extremely easy to clean and maintain using a variation of bleach, water, and mild commercial abrasives.

Q: Will I be able to integrate future hardware on the HI-Med?

A: Yes. We realized the need to easily upgrade in the future, so we have engineered technology to assist you in upgrading as needed.

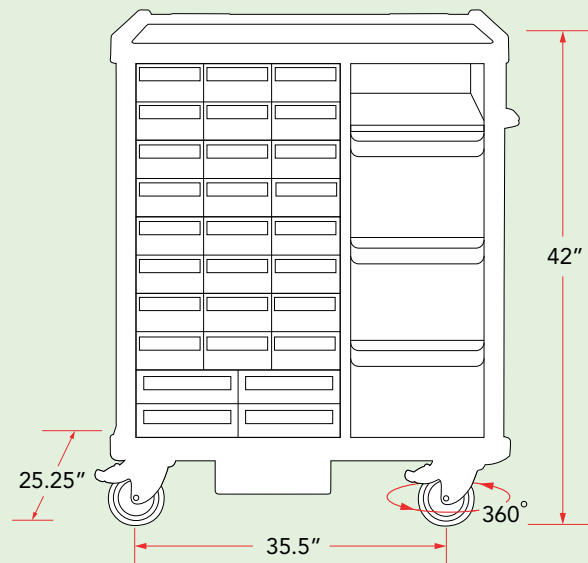
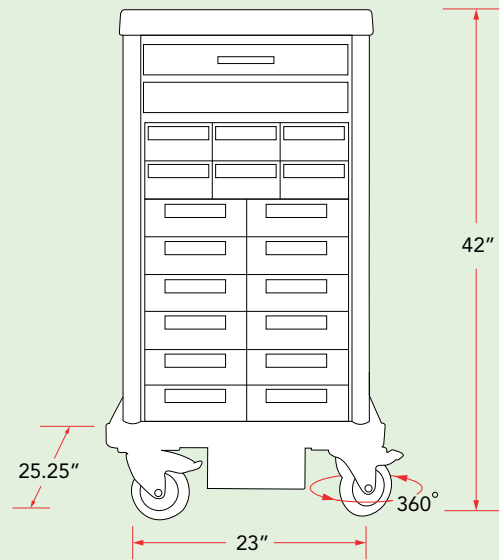
Q: Can I get my carts in a color of my choice?

A: Yes. Since color plays an important role in cart configuration, we have designed our entire cart family with several accent colors for you to choose from. (See below for color palette.)



Ask about our Large HI-Med.

System Specifications



Color Options

| | | | | |
|------------------------|---------|-------------|------------------------|---------|
| PMS 287 | PMS 360 | Cool Gray 7 | PMS 287 | PMS 360 |
| Optional accent colors | | | Original Howard colors | |



Redefining **medical technology.**

HOWARD
MEDICAL

Buy online at www.Howard-Medical.com or call us at 877.856.6441.